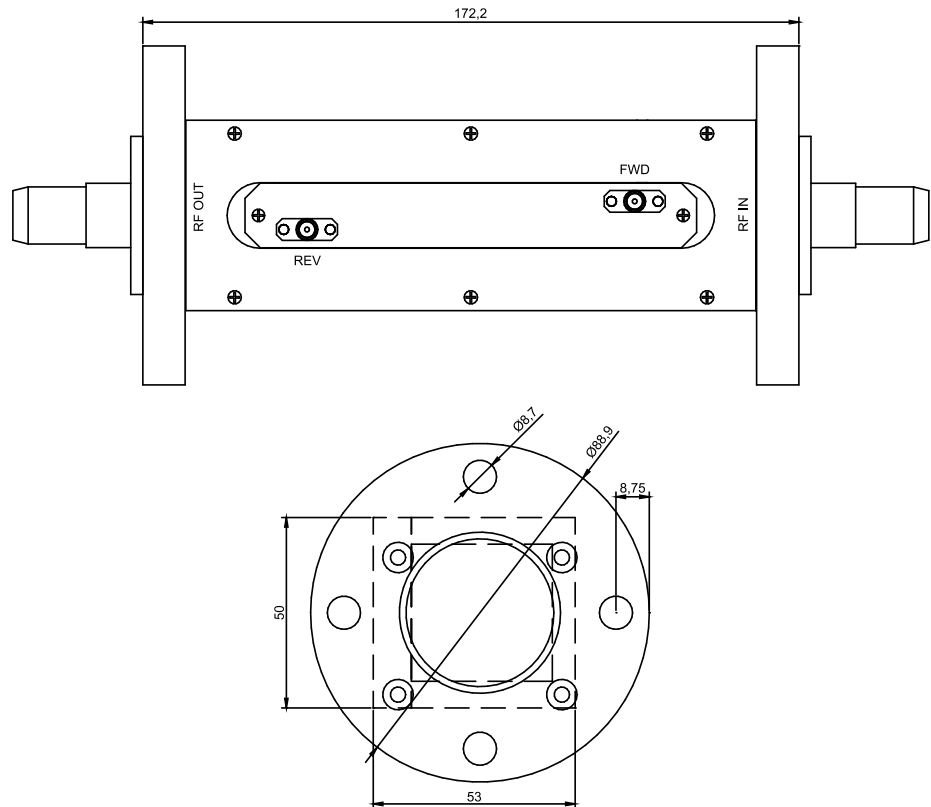


8kW Dual Directional Coupler

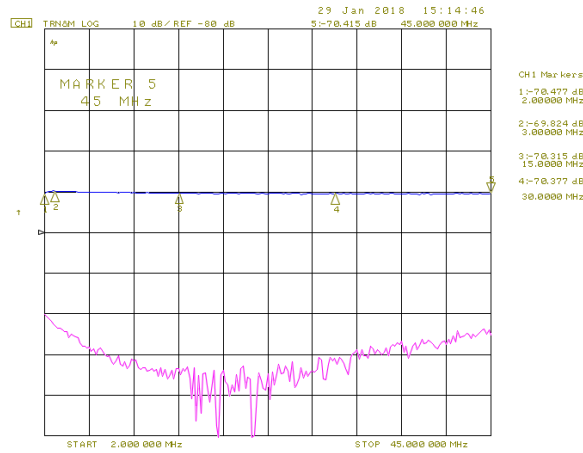


HIGHLIGHTS

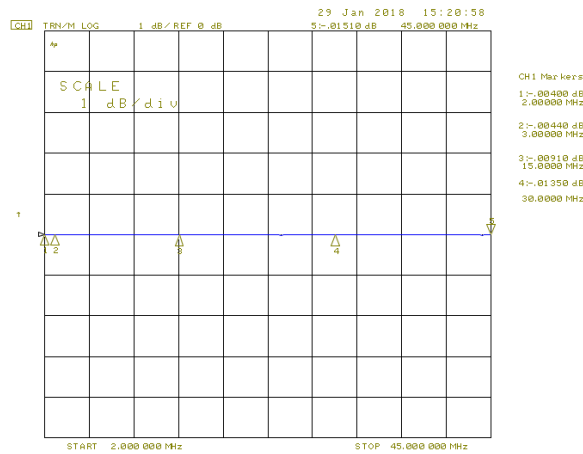
- ◆ Rated to 8kW into any VSWR
- ◆ Negligible loss
- ◆ Excellent directivity
- ◆ Rugged construction

| ITEM | SPECIFICATION | NOTES |
|-----------------|---|------------------|
| Model | SRF8KCPL | |
| Power | 8kW | Into any VSWR |
| Frequency Range | 2 - 45 MHz | |
| Coupling | -70dB | +/-0.5dB |
| Flatness | +/- 0.3dB | |
| Directivity | >30dB | |
| VSWR | 1.1:1 Max | |
| Insertion Loss | <0.05dB | Typically 0.01dB |
| Connections | 1-5/8 EIA Input/Output SMA FWD and REV samples | |

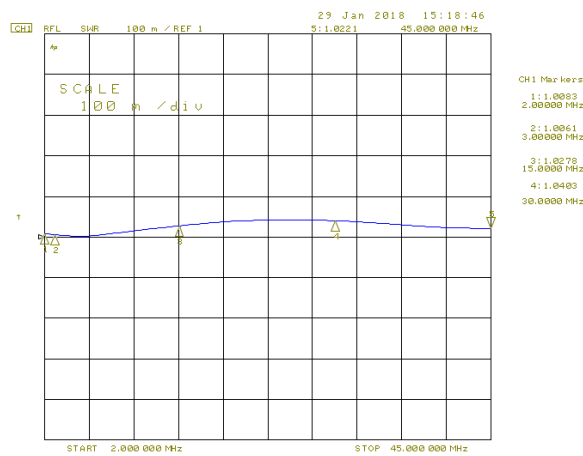
Note: Specifications may change as product evolves. Confirm with factory before order for any critical specifications.



Coupling and Directivity



Insertion Loss



Input VSWR

3/5 Ballantyne Street, MAGILL SA 5072
Phone: +618 7225 8385 Email: sales@schachrf.com.au

