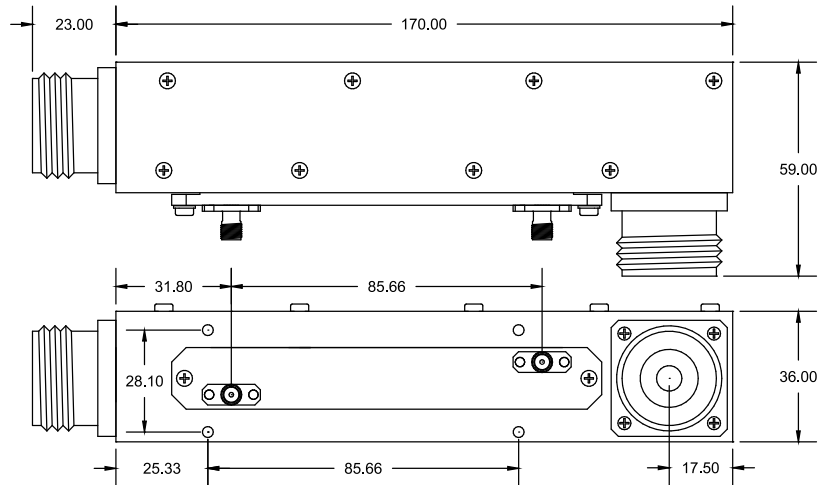
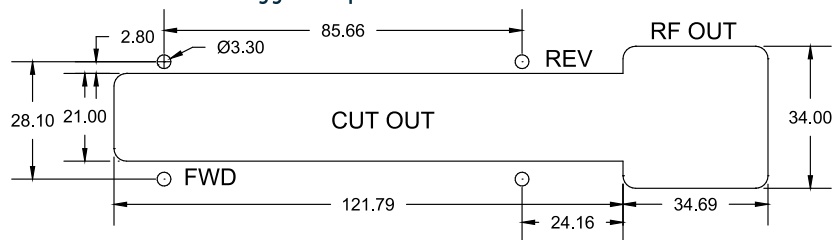


2.2kW Dual Directional Coupler



Suggested panel cutout

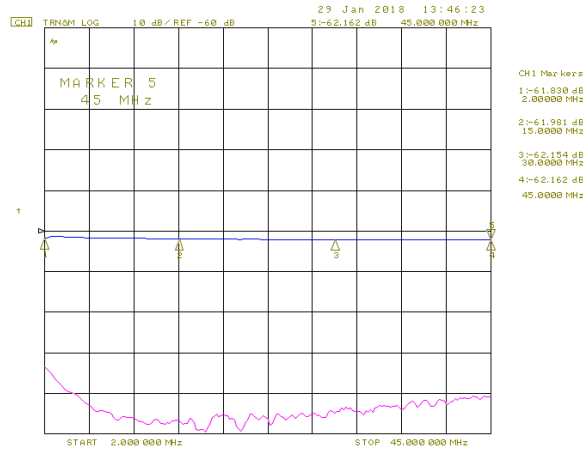


HIGHLIGHTS

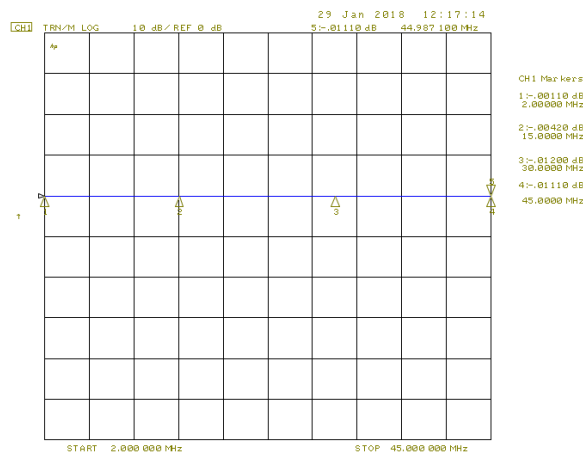
- ◆ Rated to 2.2kW into any VSWR
- ◆ Negligible loss
- ◆ Designed for panel mounting (other connector positions available)
- ◆ Excellent directivity
- ◆ Rugged construction

ITEM	SPECIFICATION	NOTES
Model	SRF2K2CPL	
Power	2.2kW	Into any VSWR
Frequency Range	2 - 45 MHz	
Coupling	-62dB	+/-0.5dB
Flatness	+/- 0.3dB	
Directivity	>30dB	
VSWR	1.1:1 Max	
Insertion Loss	<0.05dB	Typically 0.01dB
Connections	7-16 Input/Output SMA FWD and REV samples	

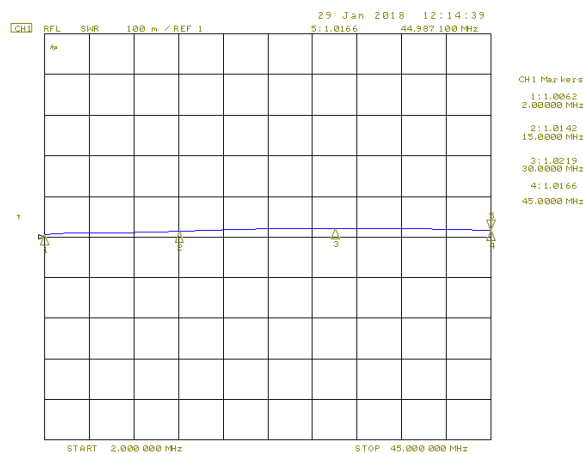
Note: Specifications may change as product evolves. Confirm with factory before order for any critical specifications.



Coupling and Directivity



Insertion Loss



Input VSWR

3/5 Ballantyne Street, MAGILL SA 5072
Phone: +618 7225 8385 Email: sales@schachrf.com.au

